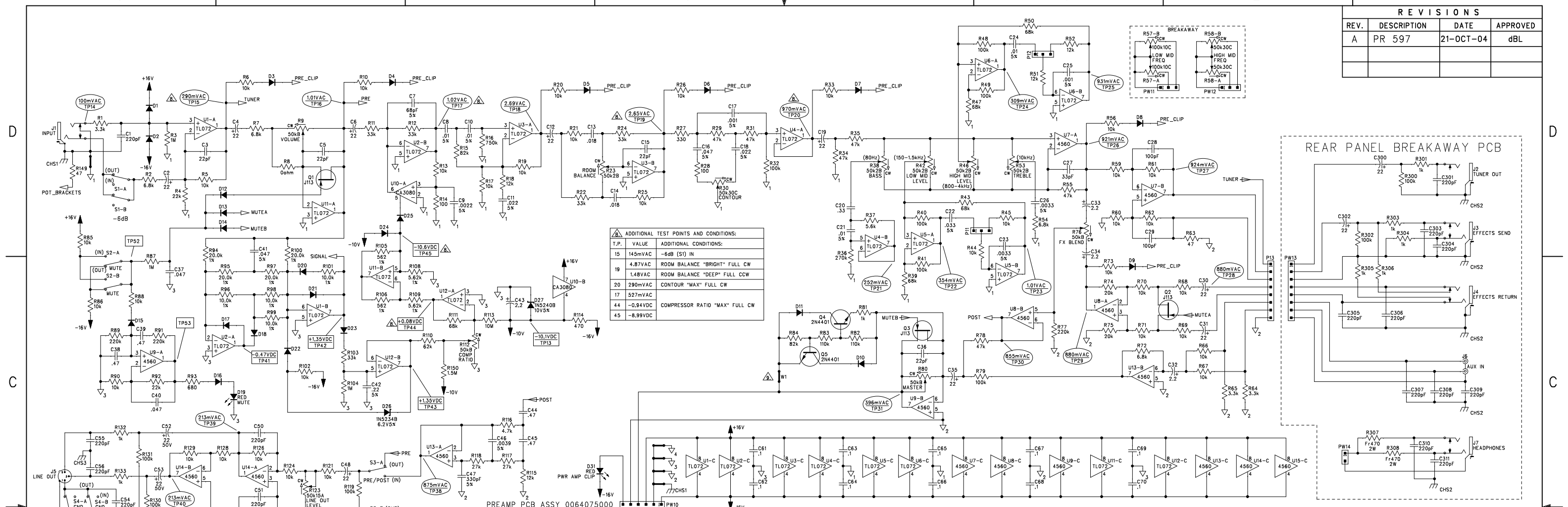
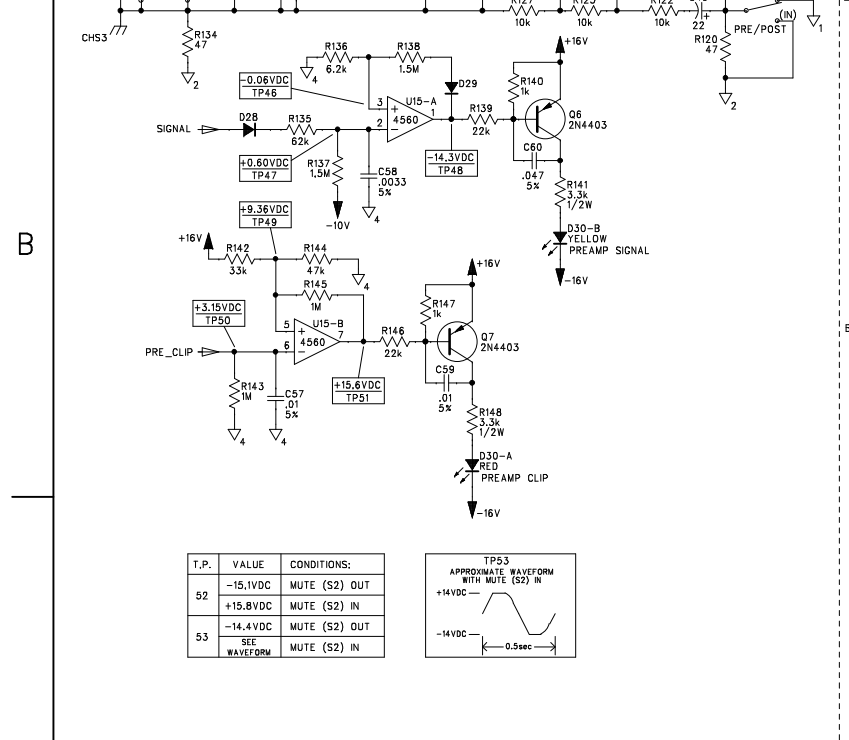
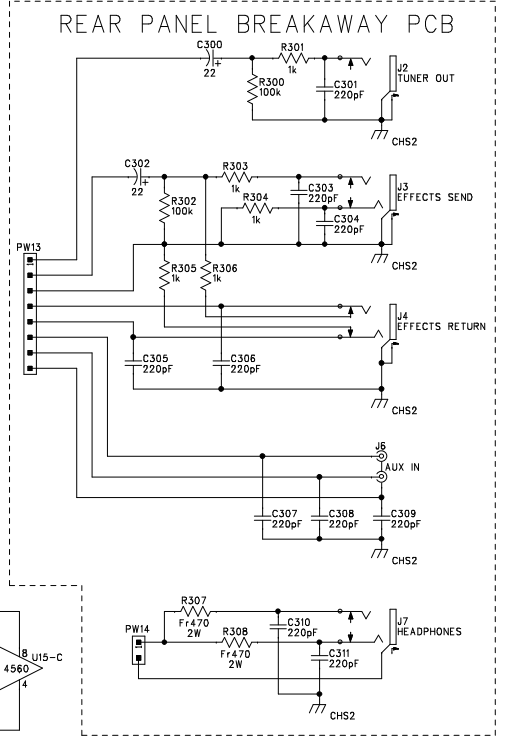


REVISIONS			
REV.	DESCRIPTION	DATE	APPROVED
A	PR 597	21-OCT-04	dBL

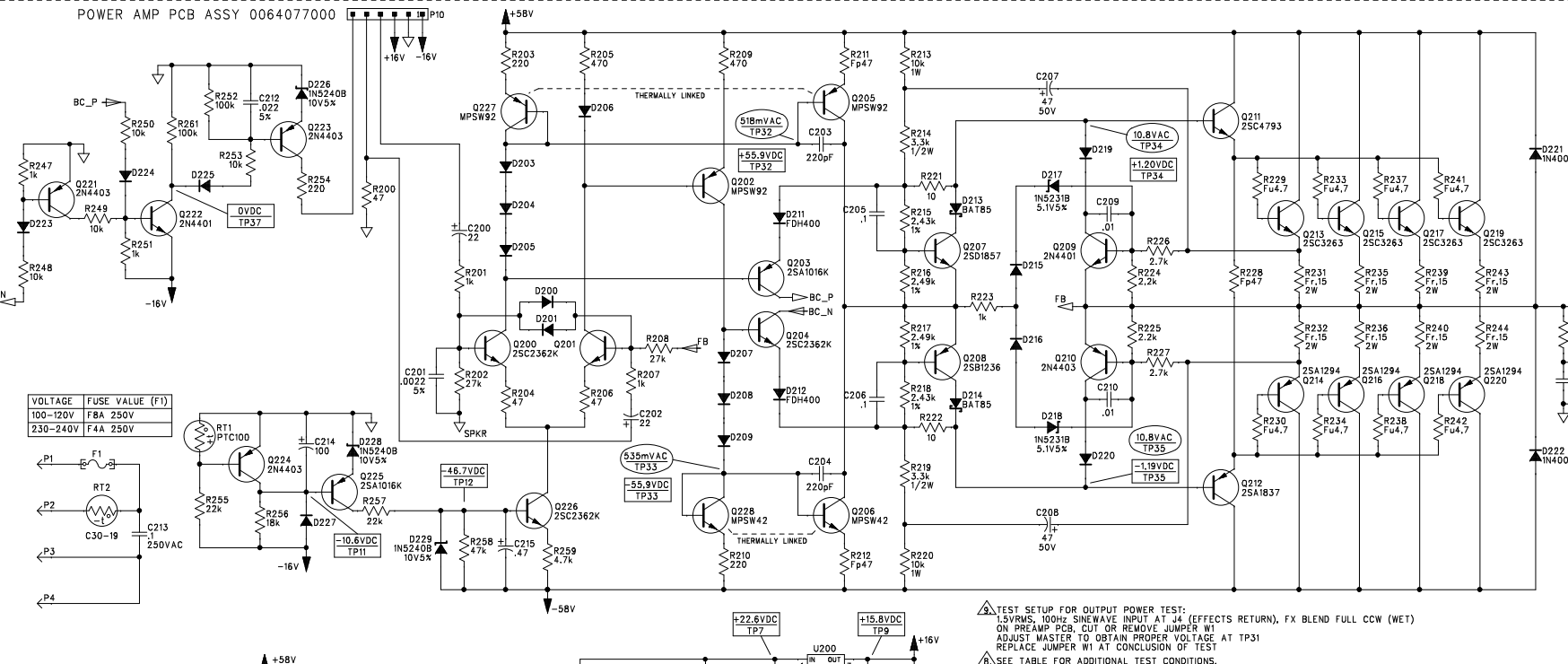
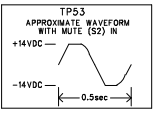


ADDITIONAL TEST POINTS AND CONDITIONS:

T.P.	VALUE	ADDITIONAL CONDITIONS:
15	145mVAC	-6dB (S1) IN
18	4.87VAC	ROOM BALANCE "BRIGHT" FULL CW
19	1.48VAC	ROOM BALANCE "DEEP" FULL CCW
20	290mVAC	CONTOUR "MAX" FULL CW
17	527mVAC	
44	-0.94VDC	COMPRESSOR RATIO "MAX" FULL CW
45	-8.99VDC	

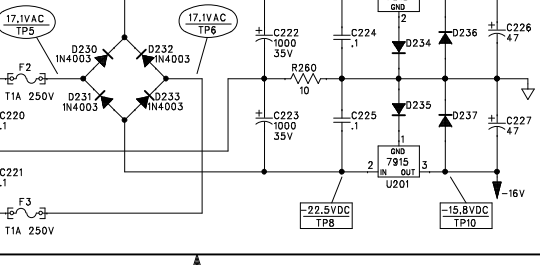
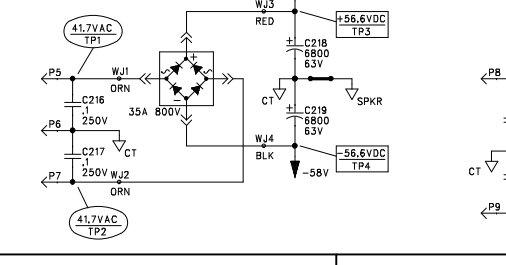
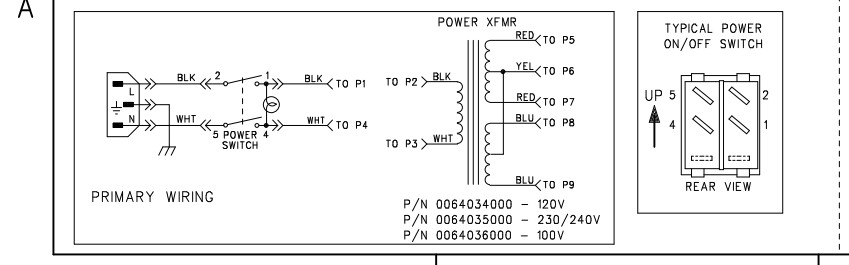
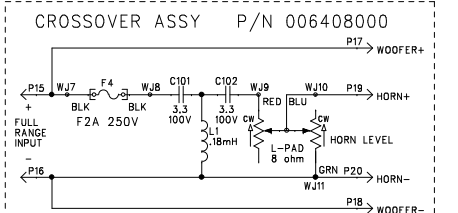
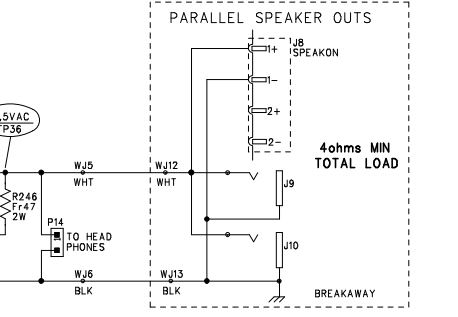


T.P.	VALUE	CONDITIONS:
52	-15.1VDC	MUTE (S2) OUT
	+15.8VDC	MUTE (S2) IN
53	-14.4VDC	MUTE (S2) OUT
	SEE WAVEFORM	MUTE (S2) IN



VOLTAGE	FUSE VALUE (F1)
100-120V	FBA 250V
230-240V	F4A 250V

OUTPUT POWER:  $\Delta$   
 1.21VRMS, 100Hz SINEWAVE AT TP31,  
 250W (31.6VRMS) AT <0.05% THD INTO 4ohm  
 RESISTIVE LOAD AT J9,  
 UNIT AT RATED LINE VOLTAGE.



- TEST SETUP FOR OUTPUT POWER TEST:  
 1.5VRMS, 100Hz SINEWAVE INPUT AT J4 (EFFECTS RETURN), FX BLEND FULL CCW (WET)  
 ON PREAMP PCB, CUT OR REMOVE JUMPER W1  
 ADJUST MASTER CONTROL TO OBTAIN PROPER VOLTAGE AT TP31  
 REPLACE JUMPER W1 AT CONCLUSION OF TEST
- SEE TABLE FOR ADDITIONAL TEST CONDITIONS.
7. AC AND DC VOLTAGES READ TO GROUND WITH A DVM UNDER THE FOLLOWING CONDITIONS:  
 UNIT AT RATED LINE VOLTAGE, 4 OHM RESISTIVE LOAD AT J9  
 NO INPUT SIGNAL (TP1-15, TP32-35, TP52-53)
- ADDITIONAL CONDITIONS FOR TP14-51:  
 100mVRMS, 1kHz SINEWAVE INPUT AT J1  
 ALL SWITCHES (S1-S4) OUT, COMPRESSOR RATIO = OFF, CONTOUR = MIN  
 ALL OTHER CONTROLS AT "12 O'CLOCK" (50% ROTATION)
6. LAST REF. DESIGNATORS USED: C227, D237, F4, J10, L1, P20, Q228, R261, R2, S4, U15, W11  
 REF. DESIGNATORS NOT USED: C71-100, C103-199, D32-199, R99, R191-199, Q8-199  
 REF. DESIGNATORS ALSO USED: C300-311, PW10-14, R300-308, U200-201
5. THIS SCHEMATIC IS FOR:  
 PREAMP PCB FABRICATION P/N 0064074000 AND PCB ASSEMBLY P/N 0064075000  
 POWER AMP PCB FABRICATION P/N 0064076000 AND PCB ASSEMBLY P/N 0064077000
4. ALL DIODES ARE 1N4148
3. ALL POLARIZED CAPACITORS IN  $\mu$ F, 20% OR BETTER; 50V MINIMUM.  
 (POWER SUPPLY BYPASS CAPACITORS ARE 20%).
2. ALL UNPOLARIZED CAPACITORS IN  $\mu$ F, 10% OR BETTER; 50V MINIMUM.
1. ALL RESISTORS IN OHMS, 5% 1/4W.
- NOTES: (UNLESS OTHERWISE NOTED)

THIS DOCUMENT CONTAINS INFORMATION OF A PROPRIETARY NATURE TO FENDER MUSICAL INSTRUMENTS AND IS SUBMITTED TO YOU IN CONFIDENCE AND SHALL NOT BE DISCLOSED OR TRANSMITTED TO OTHERS WITHOUT AUTHORIZATION FROM FENDER MUSICAL INSTRUMENTS.

CHECKED BY: \_\_\_\_\_  
 DATE: \_\_\_\_\_

APPROVED BY: \_\_\_\_\_  
 DATE: \_\_\_\_\_

DRAWN: D. LEWIS ENGR: D. LEWIS  
 DATABASE FILE: Z5975.SCH

**Fender** MUSICAL INSTRUMENTS  
 Corona, CA U.S.A.

TITLE: SERVICE DIAGRAM, COMBINED (schematic)  
 DATE: \_\_\_\_\_  
 F.B.A. BASSMAN 250  
 BASS AMPLIFIER

SIZE: \_\_\_\_\_  
 DRAWING NUMBER: 0064078000  
 REV. A

RELEASE DATE: 21-OCT-04 SHEET: 1 OF 3

8

7

6

5

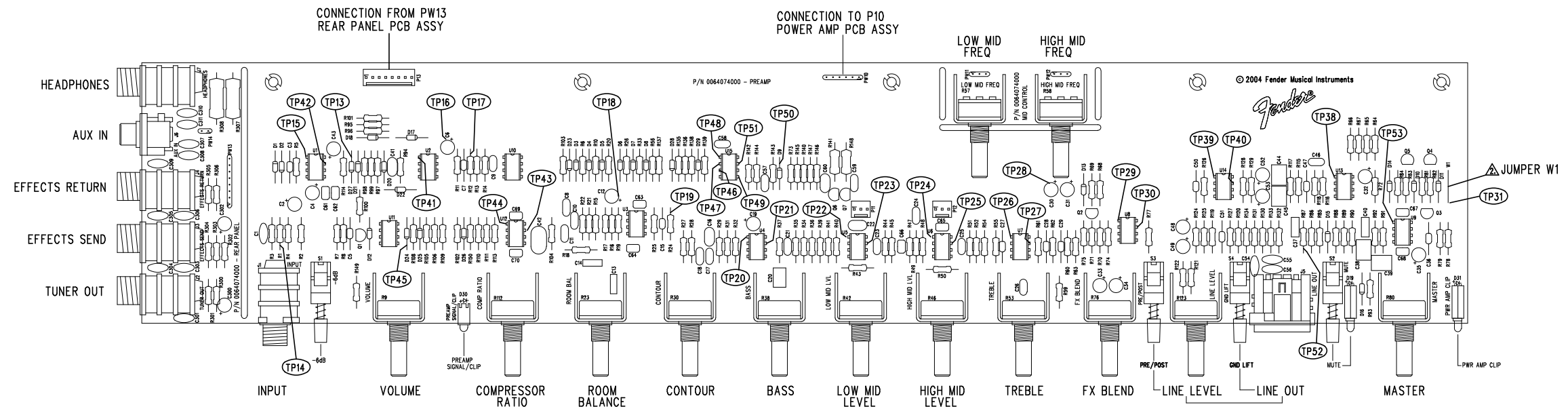
4

3

2

1

REVISIONS			
REV.	DESCRIPTION	DATE	APPROVED
A	PR 597	21-OCT-04	dBL



FILM/DWG: SERVICE DIAGRAM  
 DATABASE: Z997PLPCB DATE: 28-SEP-04

REFER TO SHEET 1 FOR OUTPUT POWER TEST SETUP.  
 1. SEE SHEET 1 FOR PRIMARY WIRING, TEST CONDITIONS,  
 AND TEST POINT VALUES.  
 NOTES: (UNLESS OTHERWISE NOTED)

THIS DOCUMENT CONTAINS INFORMATION OF A PROPRIETARY NATURE TO FENDER MUSICAL INSTRUMENTS AND IS SUBMITTED TO YOU IN CONFIDENCE AND SHALL NOT BE DISCLOSED OR TRANSMITTED TO OTHERS WITHOUT AUTHORIZATION FROM FENDER MUSICAL INSTRUMENTS.		MUSICAL INSTRUMENTS Corona, CA U.S.A.	
CHECKED BY: _____ DATE: _____		TITLE: SERVICE DIAGRAM, COMBINED (PCB assy) F.B.A. BASSMAN 250 PREAMP	
APPROVED BY: _____ DATE: _____		SIZE: <b>D</b>	DRAWING NUMBER: <b>0064078000</b>
DRAWN: RM/D.LEWIS	ENGR: D.LEWIS	RELEASE DATE: 21-OCT-04	SHEET 2 OF 3
DATABASE FILE: Z997PLPCB		REV. <b>A</b>	

8

7

6

5

4

3

2

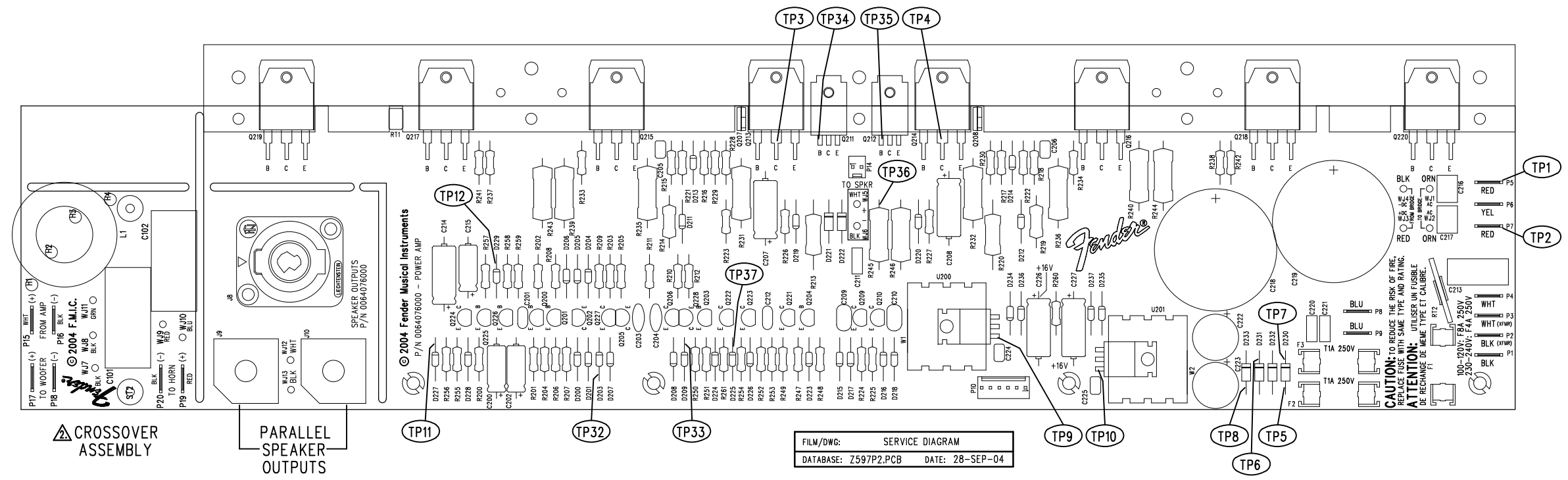
1

8 7 6 5 4 3 2 1

REVISIONS			
REV.	DESCRIPTION	DATE	APPROVED
A	PR 597	21-OCT-04	dBL

D  
C  
B  
A

D  
C  
B  
A



**CAUTION:** TO REDUCE THE RISK OF FIRE, REPLACE FUSE WITH SAME TYPE AND RATING.  
**ATTENTION:** UTILISER UN FUSIBLE DE RECHANGE DE MEME TYPE ET CALIBRE.

▲ COMPONENTS NOT INCLUDED ON HEAD VERSIONS:  
C101-102, L1, P15-20, WJ7-11.  
1. SEE SHEET 1 FOR PRIMARY WIRING, TEST CONDITIONS TEST POINT VALUES, AND OUTPUT POWER TEST SETUP.  
NOTES: (UNLESS OTHERWISE NOTED)

THIS DOCUMENT CONTAINS INFORMATION OF A PROPRIETARY NATURE TO FENDER MUSICAL INSTRUMENTS AND IS SUBMITTED TO YOU IN CONFIDENCE AND SHALL NOT BE DISCLOSED OR TRANSMITTED TO OTHERS WITHOUT AUTHORIZATION FROM FENDER MUSICAL INSTRUMENTS.		<b>MUSICAL INSTRUMENTS</b> Corona, CA U.S.A.	
CHECKED BY: _____ DATE: _____		TITLE: SERVICE DIAGRAM, COMBINED (PCB assy) FBA BASSMAN 250 POWER AMPLIFIER	
APPROVED BY: _____ DATE: _____		SIZE <b>C</b>	DRAWING NUMBER 0064078000
DRAWN: D. LEWIS ENGR: D. LEWIS	DATABASE FILE: FBA250PWR.PCB	RELEASE DATE: 21-OCT-04	SHEET 3 OF 3 REV. A

8 7 6 5 4 3 2 1