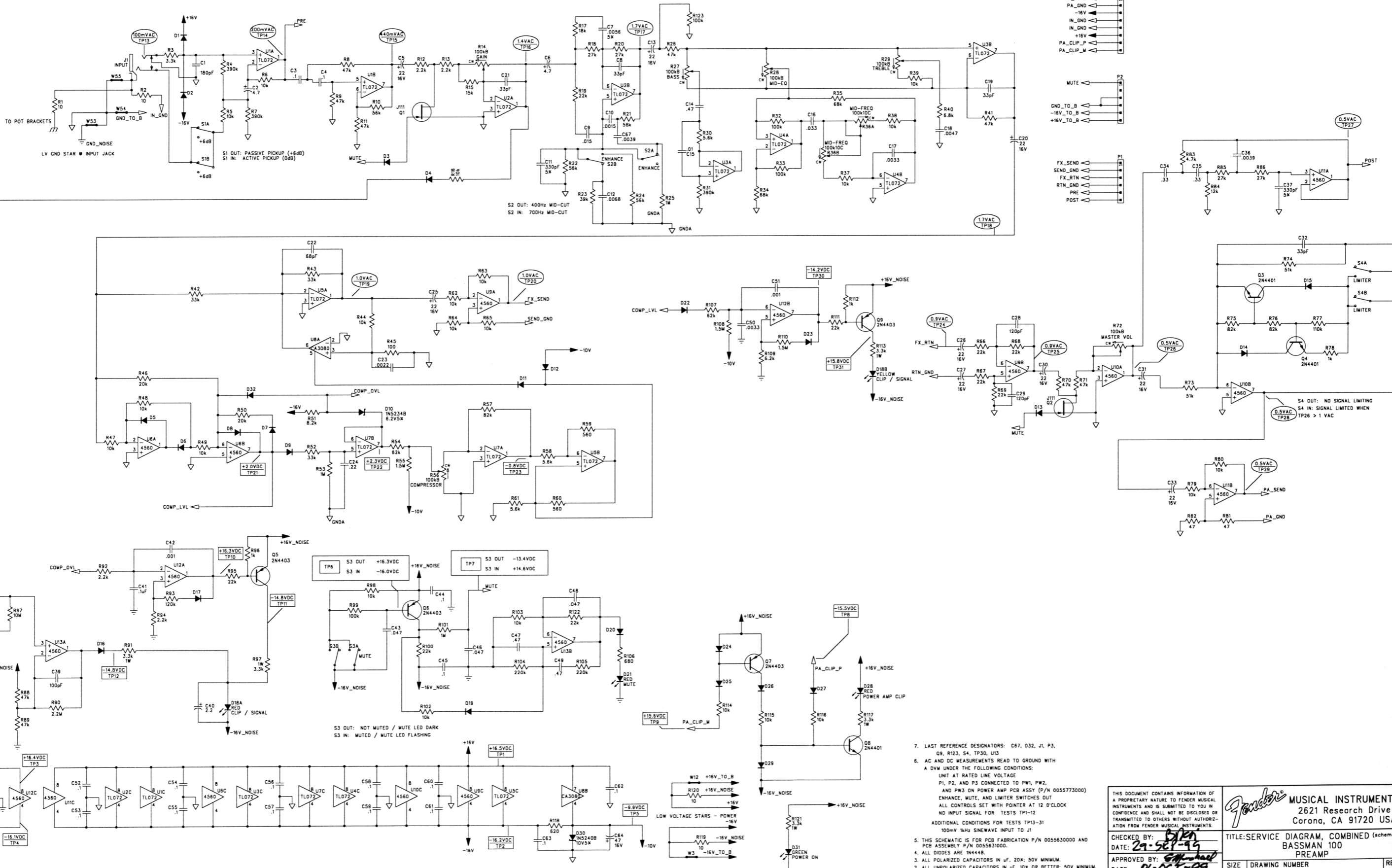


REVISIONS			
REV.	DESCRIPTION	DATE	APPROVED
A	PR420	27-JUL-99	S M M
B	EC 2346	24-SEP-99	S M M

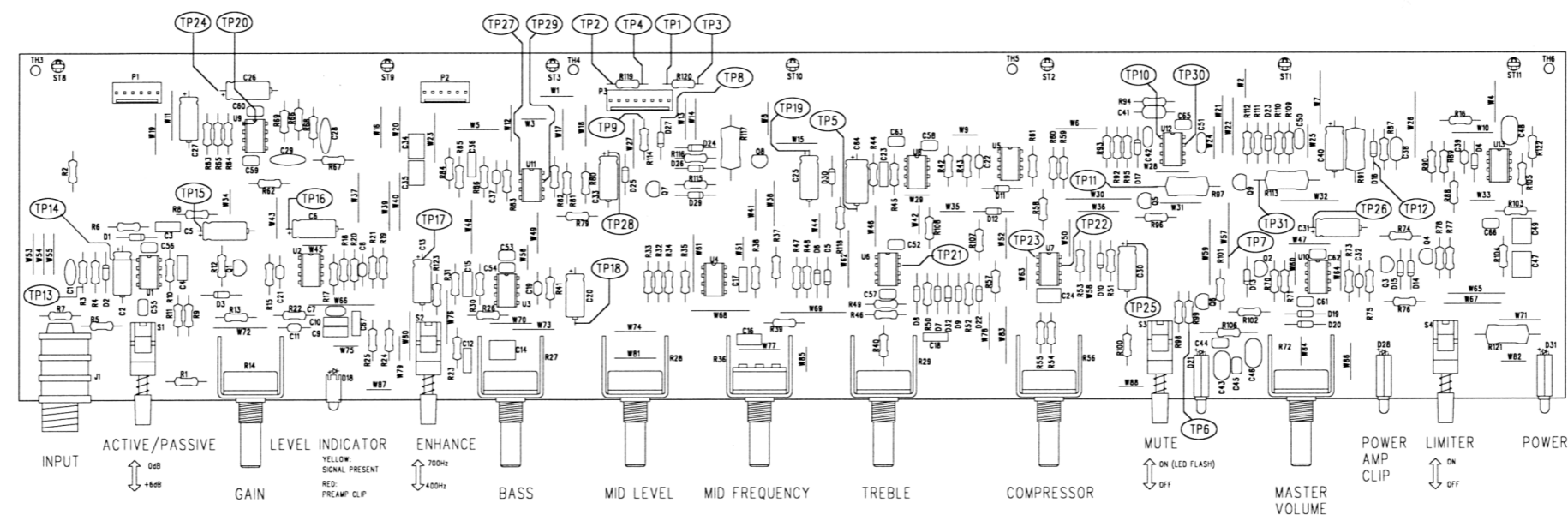


- LAST REFERENCE DESIGNATORS: C67, D32, J1, P3, Q9, R123, S4, TP30, U13
- AC AND DC MEASUREMENTS READ TO GROUND WITH A DVM UNDER THE FOLLOWING CONDITIONS:  
UNIT AT RATED LINE VOLTAGE  
P1, P2, AND P3 CONNECTED TO PW1, PW2, AND PW3 ON POWER AMP PCB ASSY (P/N 005573000)  
ENHANCE, MUTE, AND LIMITER SWITCHES OUT  
ALL CONTROLS SET WITH POINTER AT 12 O'CLOCK  
NO INPUT SIGNAL FOR TESTS TP1-12  
ADDITIONAL CONDITIONS FOR TESTS TP3-31  
100mv 1kHz SINEWAVE INPUT TO J1
- THIS SCHEMATIC IS FOR PCB FABRICATION P/N 005563000 AND PCB ASSEMBLY P/N 0055631000.
- ALL DIODES ARE 1N4448.
- ALL POLARIZED CAPACITORS IN  $\mu$ F, 20X OR BETTER; 50V MINIMUM.
- ALL UNPOLARIZED CAPACITORS IN  $\mu$ F, 10X OR BETTER; 50V MINIMUM. (POWER SUPPLY BYPASS CAPACITORS ARE 20X).
- ALL RESISTORS IN OHMS, 5X; 1/4W.

NOTES: (UNLESS OTHERWISE NOTED)

THIS DOCUMENT CONTAINS INFORMATION OF A PROPRIETARY NATURE TO FENDER MUSICAL INSTRUMENTS AND IS SUBMITTED TO YOU IN CONFIDENCE AND SHALL NOT BE DISCLOSED OR TRANSMITTED TO OTHERS WITHOUT AUTHORIZATION FROM FENDER MUSICAL INSTRUMENTS.		<b>MUSICAL INSTRUMENTS</b> 2621 Research Drive Corona, CA 91720 USA	
CHECKED BY: <i>SMM</i>	DATE: <i>29-SEP-99</i>	TITLE: SERVICE DIAGRAM, COMBINED (schematic) BASSMAN 100 PREAMP	
APPROVED BY: <i>SMM</i>	DATE: <i>01-OCT-99</i>	SIZE: <b>D</b>	DRAWING NUMBER: <b>0055632000</b>
DRAWN: S M M	ENGR: S M M	RELEASE DATE: 30-JUL-99	SHEET: 1 OF 2
DATABASE FILE: Z420S1.SCH			

REVISIONS			
REV.	DESCRIPTION	DATE	APPROVED
A	PR420	30-JUL-99	SM/AB
B	EC 2346	24-SEP-99	S M M

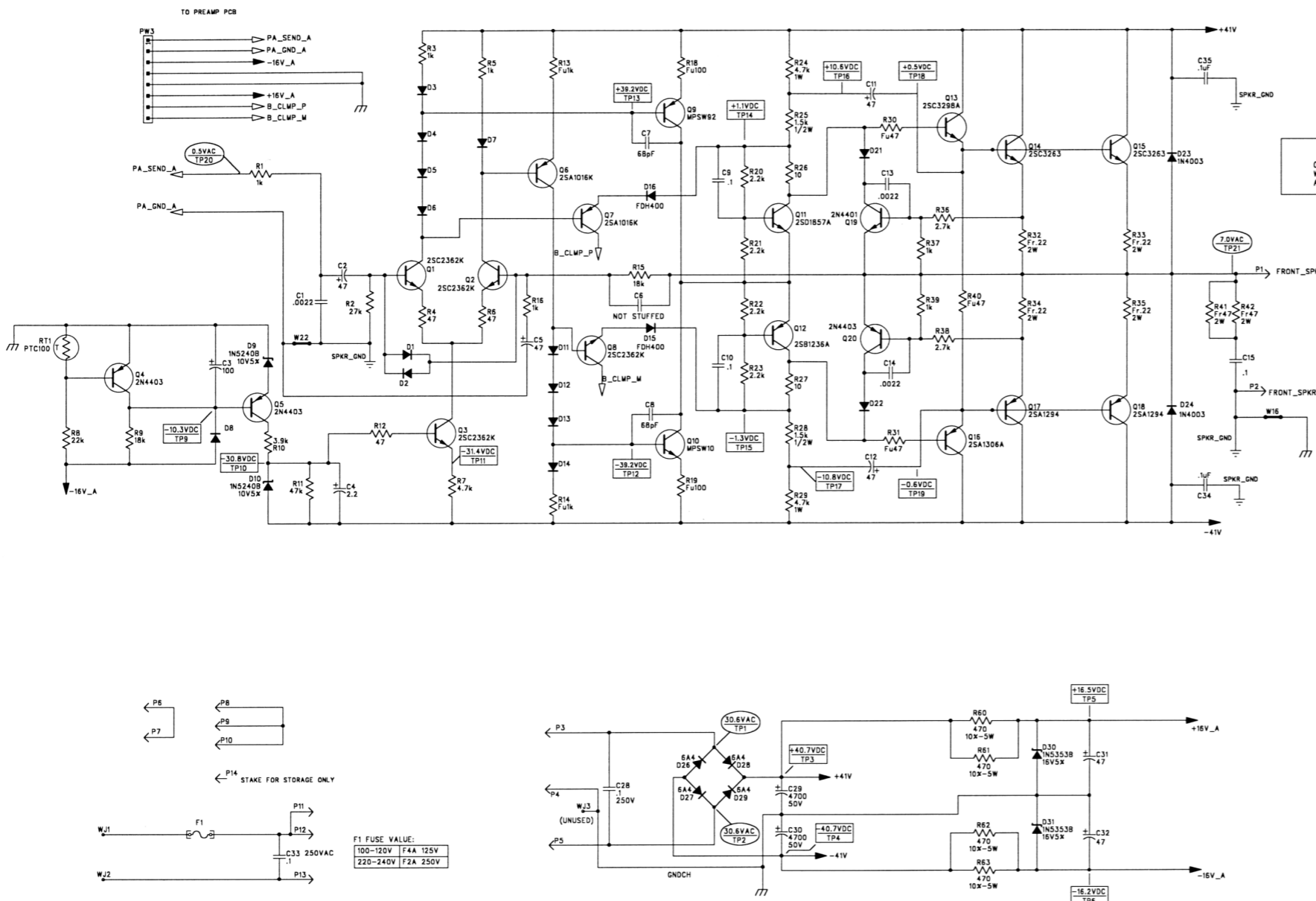


FILM/DWG: SERVICE DIAGRAM  
 DATABASE: Z420PLPCB DATE: 24-SEP-99

2. P1, P2, AND P3 CONNECT TO RIBBON CABLES FROM POWER AMP PCB ASSY (PW1, PW2, PW3 RESPECTIVELY).  
 1. SEE SHEET 1 FOR TEST CONDITIONS AND TEST POINT VALUES.  
 NOTES: (UNLESS OTHERWISE NOTED)

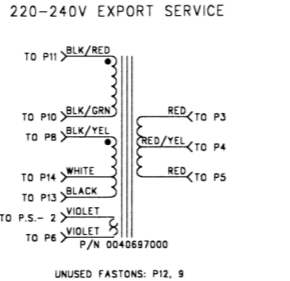
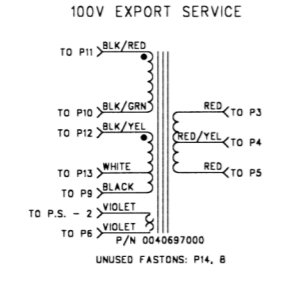
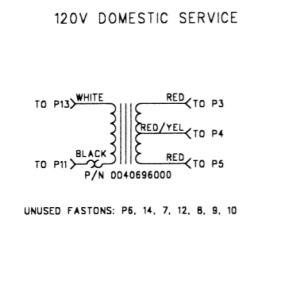
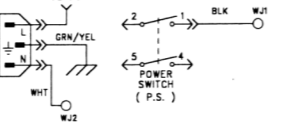
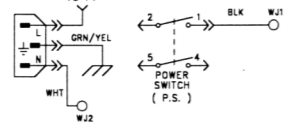
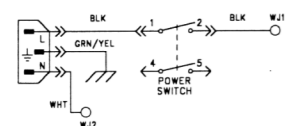
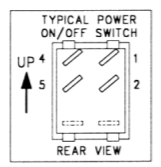
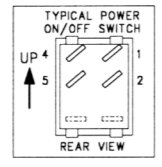
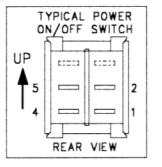
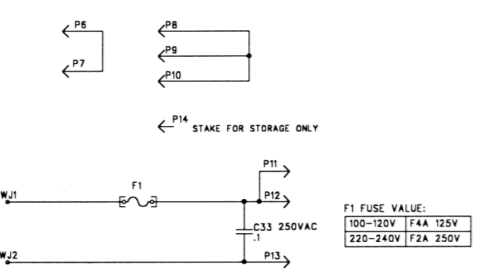
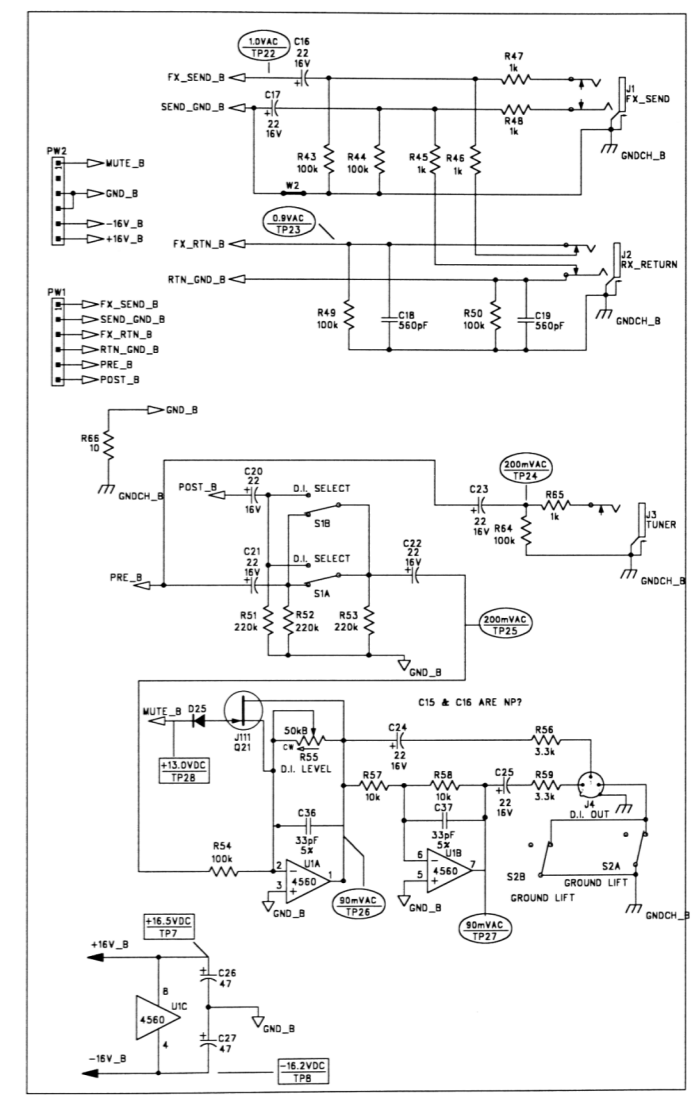
<small>THIS DOCUMENT CONTAINS INFORMATION OF A PROPRIETARY NATURE TO FENDER MUSICAL INSTRUMENTS AND IS SUBMITTED TO YOU IN CONFIDENCE AND SHALL NOT BE DISCLOSED OR TRANSMITTED TO OTHERS WITHOUT AUTHORIZATION FROM FENDER MUSICAL INSTRUMENTS.</small>		<b>MUSICAL INSTRUMENTS</b> 2621 Research Drive Corona, CA 91720 USA	
CHECKED BY: <i>[Signature]</i> DATE: 29-SEP-99	TITLE: SERVICE DIAGRAM, COMBINED (PCB assy) BASSMAN 100 PREAMP		
APPROVED BY: <i>[Signature]</i> DATE: 01-OCT-99	SIZE: <b>D</b>	DRAWING NUMBER: <b>0055632000</b>	REV: <b>B</b>
DRAWN: A. BARNAI    ENGR: S. MARSHALL	DATABASE FILE: Z420PLPCB	RELEASE DATE: 30-JUL-99	SHEET 2 OF 2

REVISIONS			
REV.	DESCRIPTION	DATE	APPROVED
A	PR420	27-JUL-99	S M M
B	EC2363	18-NOV-99	S M M



**OUTPUT POWER TEST:**  
CONNECT A 1kHz SINEWAVE SIGNAL TO J2. SET MASTER VOLUME ON FRONT TO MAX (CW). WITH A 4 OHM LOAD CONNECTED TO P1/P2 AND UNIT AT RATED AC LINE INPUT ADJUST INPUT SIGNAL TO VERIFY 100 WATTS AT <math>\pm 0.5\text{ THD}</math>.

**BACK PANEL CIRCUITRY - ON BREAKAWAY PCB**



- LAST REFERENCE DESIGNATORS: C37 D31 F1 J4 P15 PW3 Q21 R66 R11 U1 S2 WJ3 TP27
  - REFERENCE DESIGNATORS NOT USED: D17-20
  - COMPONENTS NOT STUFFED: C6 WJ3 D17-20
  - AC AND DC MEASUREMENTS READ TO GROUND WITH A DVM UNDER THE FOLLOWING CONDITIONS:  
UNIT IS POWERED AT RATED LINE VOLTAGE AND FREQUENCY  
4 OHM RESISTIVE LOAD CONNECTED ACROSS P1-P2  
NO INPUT SIGNAL FOR DC TESTS (TP1-19)  
ADDITIONAL CONDITIONS FOR AC TEST (TP20-28)  
PREAMP PCB ASSY SHOULD BE SET UP PER ITS SERVICE DIAGRAM (P/N 0055632000)  
R55 SET FULL CW  
REAR PANEL SWITCHES OUT  
INPUT 100mVAC RMS SINEWAVE INTO PREAMP PCB ASSY - J1 ("INPUT")  
NOTE: PW1, PW2, AND PW3 INTERCONNECTS TO P1, P2, AND P3 RESPECTIVELY ON THE PREAMP PCB.
  - THIS SCHEMATIC IS FOR PCB FAB P/N 0055772000 AND PCB ASSY P/N 0055773000.
  - ALL DIODES 1N4148
  - ALL POLARIZED CAPACITORS IN uF, 20% 50V MINIMUM.
  - ALL UNPOLARIZED CAPACITORS IN uF, 10% OR BETTER; 50V MINIMUM. (POWER SUPPLY BYPASS CAPACITORS ARE 20%).
  - ALL RESISTORS IN OHMS, 5% 1/4W.
- NOTES: (UNLESS OTHERWISE NOTED)

THIS DOCUMENT CONTAINS INFORMATION OF A PROPRIETARY NATURE TO FENDER MUSICAL INSTRUMENTS AND IS SUBMITTED TO YOU IN CONFIDENCE AND SHALL NOT BE DISCLOSED OR TRANSMITTED TO OTHERS WITHOUT AUTHORIZATION FROM FENDER MUSICAL INSTRUMENTS.		<b>MUSICAL INSTRUMENTS</b> 2621 Research Drive Corona, CA 91720 USA	
CHECKED BY: <i>[Signature]</i>	DATE: 22 Nov 99	TITLE: SERVICE DIAGRAM, COMBINED (schematic)	REV. B
APPROVED BY: <i>[Signature]</i>	DATE: 22 Nov 99	BASSMAN 100 POWER AMP	
DRAWN: S M M	ENGR: S M M	SIZE: D	DRAWING NUMBER: 0055774000
DATABASE FILE: Z42052.SCH	RELEASE DATE: 30-JUL-99	SHEET: 1 OF 2	

8

7

6

5

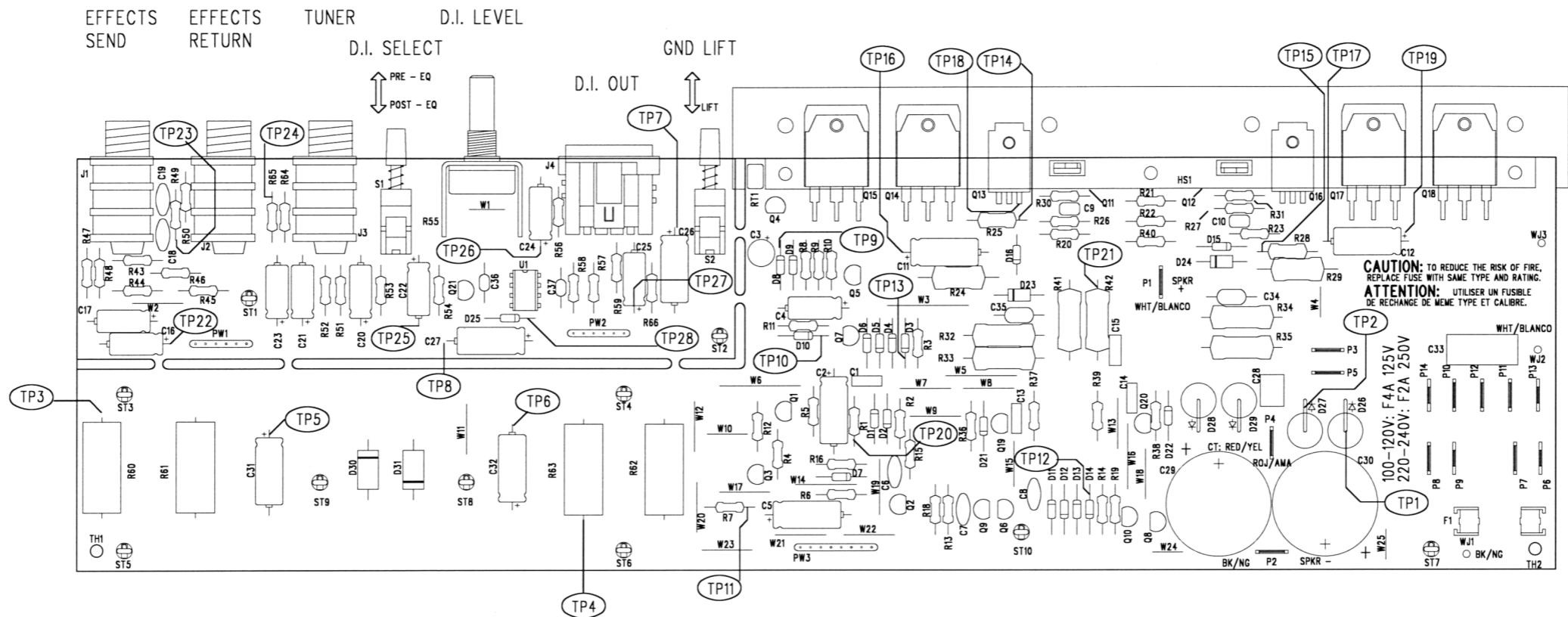
4

3

2

1


REVISIONS			
REV.	DESCRIPTION	DATE	APPROVED
A	PR420	30-JUL-99	S M M
B	EC 2363	18-NOV-99	S M M



FILM/DWG: SERVICE DIAGRAM  
 DATABASE: Z420P2.PCB DATE: 18-NOV-99

- 2. RIBBON CABLES AT PW1, PW2, PW3 CONNECT TO PREAMP PCB ASSY (P1, P2, P3 RESPECTIVELY)
- 1. SEE SHEET 1 FOR PRIMARY WIRING, TEST CONDITIONS, AND TEST POINT VALUES

NOTES: (UNLESS OTHERWISE NOTED)

THIS DOCUMENT CONTAINS INFORMATION OF A PROPRIETARY NATURE TO FENDER MUSICAL INSTRUMENTS AND IS SUBMITTED TO YOU IN CONFIDENCE AND SHALL NOT BE DISCLOSED OR TRANSMITTED TO OTHERS WITHOUT AUTHORIZATION FROM FENDER MUSICAL INSTRUMENTS.		 <b>MUSICAL INSTRUMENTS</b> 2621 Research Drive Corona, CA 91720 USA	
CHECKED BY: <i>B. Vest</i> DATE: <i>22-NOV-99</i>		TITLE: SERVICE DIAGRAM, COMBINED (PCB assy) BASSMAN 100 POWER AMP	
APPROVED BY: <i>Alf Hall</i> DATE: <i>22 Nov 99</i>		SIZE: <b>C</b>	DRAWING NUMBER: <b>0055774000</b>
DRAWN: S M M	ENGR: S M M	RELEASE DATE: 30-JUL-99	SHEET 2 OF 2
DATABASE FILE: Z420P2.PCB		REV. <b>B</b>	

8

7

6

5

4

3

2

1